

Versa Plus Gas Pressure Switches



**Automatic
Reset**



**Manual
Reset**

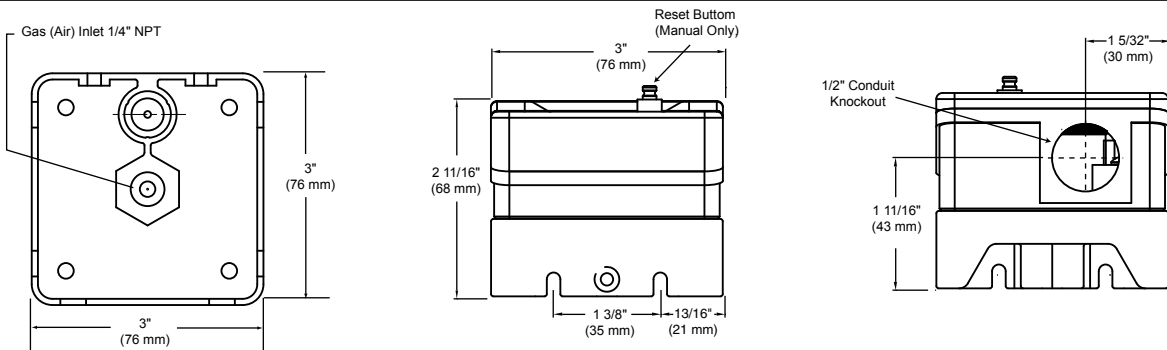
Antunes Controls' new line of gas pressure switches monitors gas pressure and breaks the electrical control circuit when pressure drops below or rises above the desired set-point. The gas pressure settings are adjustable and available in automatic or manual reset operation.

These switches are sturdy and constructed with a durable plastic electrical enclosure and a die-cast aluminum inlet base.

Features:

- Compact design.
- Accurate.
- Adjustable setpoints.
- Automatic or manual reset.
- Ventless.
- Cost-effective pricing.
- Custom design per OEM specifications.
- Mounts to any modular valve body.

Dimensions



NOTE: Dimensions are for reference only.

Low Ranges Available

Model	Part No.	W.C.	mbar
<i>Automatic Reset</i>			
FGA-L010	8261001010	0.5"-4"	1.2-10
FGA-L050	8261002050	1"-20"	2.5-50
FGA-L110	8261003110	4.8"-44"	12-110
FGA-L275	8261004275	28"-110"	70-275
<i>Manual Reset</i>			
FGM-L 010	8271001010	0.5"-4"	1.2-10
FGM-L 050	8271002050	1"-20"	2.5-50
FGM-L 075	8271003075	5.2"-30"	13-75
FGM-L 136	8271004136	6.8"-54.5"	17-136

High Ranges Available

Model	Part No.	W.C.	mbar
<i>Automatic Reset</i>			
FGA-H010	8261005010	0.8"-4"	2-10
FGA-H050	8261006050	2"-20"	5-50
FGA-H087	8261007087	5"-35"	13-87
FGA-H275	8261008275	28"-110"	70-275
<i>Manual Reset</i>			
FGM-H 050	8271005050	2"-20"	5-50
FGM-H 087	8271006087	8"-35"	20-87
FGM-H 150	8271007150	10"-60"	25-150

Specifications

Electrical Ratings

6A @ 120 VAC
6A @ 240 VAC
1/8 HP, 120 & 240 VAC

Adjustable Operating Pressure:

1.2 to 275 mbar
0.5" W.C. to 4 PSI (different ranges)

NOTE: To avoid initial line fill pressure spikes, unit should be placed downstream of the regulator.

Max. Surge Pressure:

7 PSI (482 mbar)

Ambient Operating Temperature:

5°F to 180°F (-15°C to 82°C)

Field wiring to be rated @ 90°C (194°F) for maximum ambient

Shipping Weight:

.5 lbs. (.227 kg)

Options:

4-Pin DIN Connector
Neon Lamp Indicator
Side Mounting

Limitation of Liability: If it is understood and agreed that seller's liability whether in contract, in tort, under any warranty, in negligence or otherwise, shall not exceed the return of the amount of the purchase price paid by purchaser and under no circumstances shall seller be liable for special, indirect or consequential damages. The price stated for the equipment is a consideration in limiting seller's liability. No action, regardless of form, arising out of the transactions may be brought by purchaser more than one year after the cause of action has accrued.